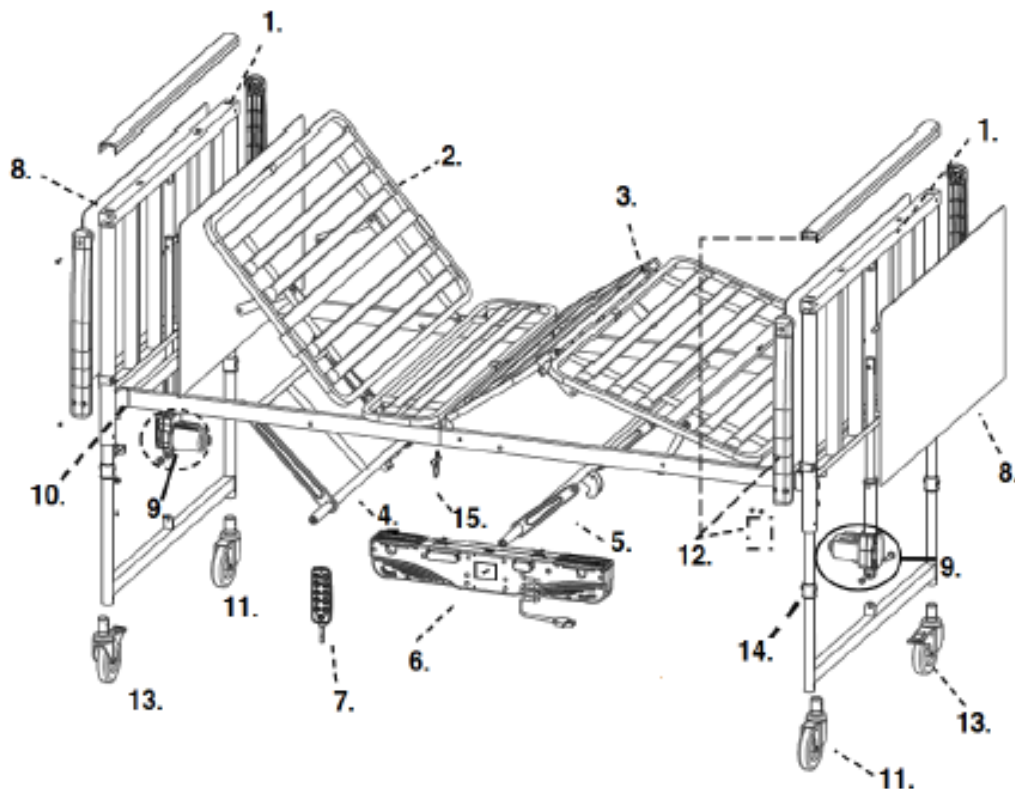
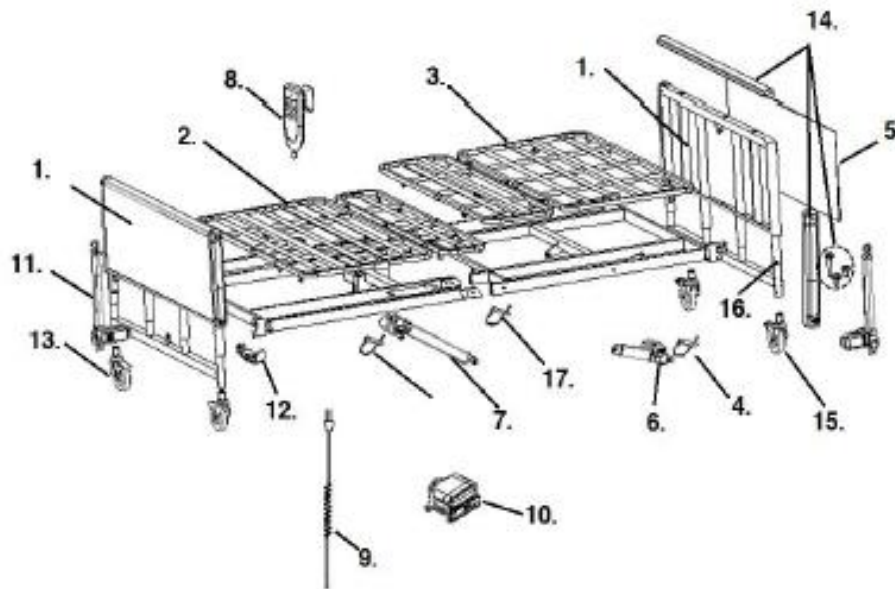


15300LW



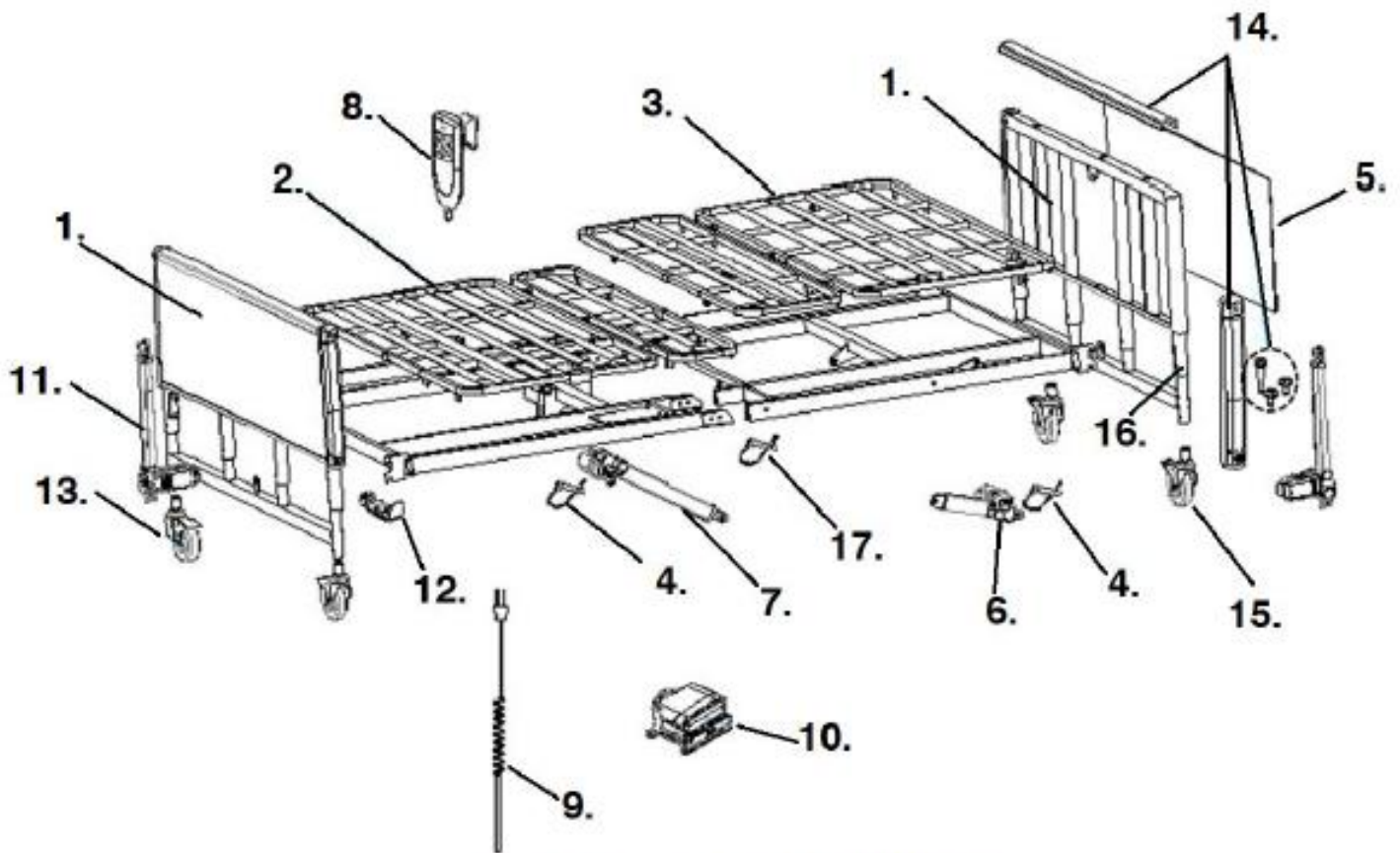
1. Head/Foot Board (ea)- 15307LWUBE
2. Head Frame- 15305LW-H
3. Foot Frame- 15306LW-F
4. Head Actuator Bar- 15300LW-HAB
5. Foot Actuator Bar- 15300LW-FAB
6. Dual Motor- 15300LWMO
Motor mount- 15300LWMO7RMM
Motor Cap- 15300LWMOMC
7. Hand Pendant- 15300LW-HC
8. Head/Foot Panels (pr)- 15300LW-BEPL2
9. Hi/Lo Motor- 15300LW-HL
10. Frame Lock & Hardware- 15561-02
11. Caster w/o Lock- 15300LW-C
12. Bed End Frame & Hardware- 15300LW-BF
13. Caster with Lock- 15300LW-CL
14. Plastic Leg Collar (pr)- 153023LW-LC
15. Frame Clip W/Strap- 15560-12

15302LW



1. Head/Foot Board (ea)- 15350LWUBE
2. Head Frame- 15309LW-H
3. Foot Frame- 15320LW-F
4. Frame Connect Q/R Pin- 153023-QRP
5. Head/Foot Panels (pr)- 15302LW-BEPL2
6. Foot Motor- 153023LWF
7. Head Motor- 153023LWH
8. Hand Pendant- 15005HC-D
9. Power Cord- 15005PC-D
10. Junction Box- 153023LW-JB
11. Hi/Lo Motor- 153023LW-HL
12. Frame Lock & Hardware- 15561-02
13. 5" Caster w/Lock- 153023LW-CL
14. Bed End Frame & Hardware- 15302LW-BF
15. 5" Caster w/o Lock- 153023LW-C
16. Plastic Leg Collar (pr)- 153023LW-LC
17. Frame Clip W/Strap- 15560-12

15303LW



1. Head/Foot Board (ea)- 15355LWUBE
2. Head Frame- 15315LW-H
3. Foot Frame- 15325LW-F
4. Frame Connect Q/R Pin- 153023-QRP
5. Head/Foot Panels (pr)- 15303LW-BEPL2
6. Foot Motor- 153023LWF
7. Head Motor- 153023LWH
8. Hand Pendant- 15005HC-D
9. Power Cord- 15005PC-D
10. Junction Box- 153023LW-JB
11. Hi/Lo Motor- 153023LW-HL
12. Frame Lock & Hardware- 15561-02
13. 5" Caster w/Lock- 153023LW-CL
14. Bed End Frame & Hardware- 15303LW-BF
15. 5" Caster w/o Lock- 153023LW-C
16.)Plastic Leg Collar (PR)- 153023LW-LC
17. Frame Clip W/Strap (ea)- 15560-12