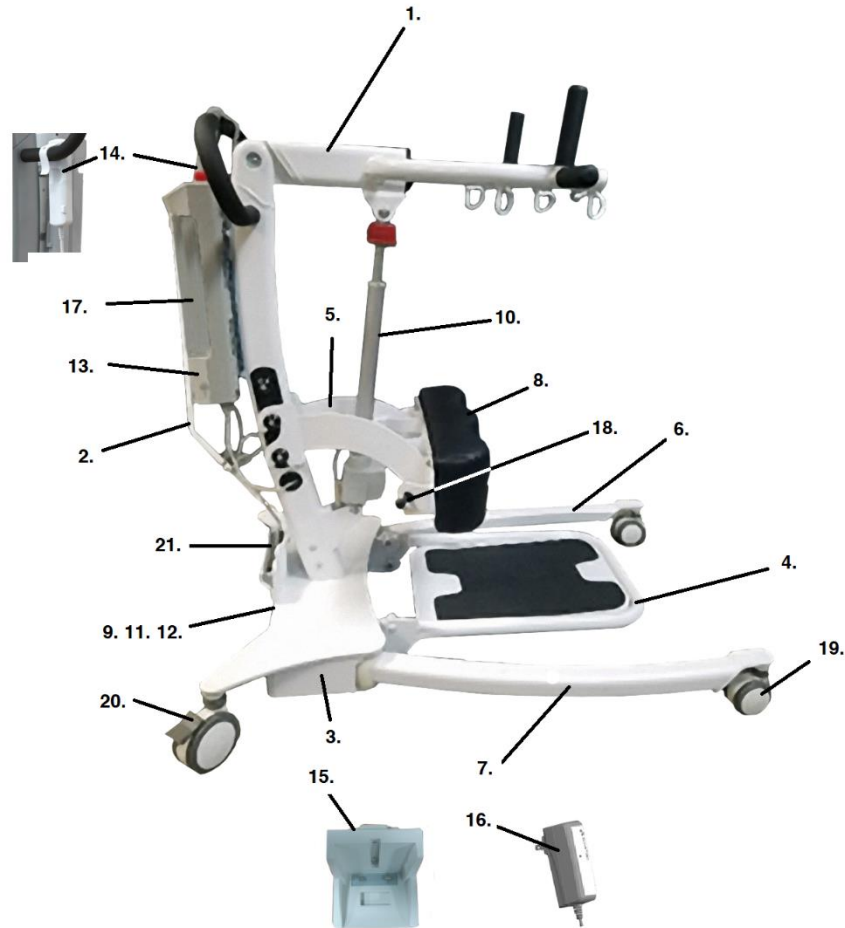


## STSM450



- 1. Upper Mast Assy.- STS450-N-10001E  
Upper Mast Assy.- STS450-N-10001AE [1]
- 2. Spreader Bar & Hardware- STS450-N-00090
- 3. Receiver Plate Assy.- STS450-N-10003E
- 4. Foot Plate- STS450-N-10004E  
Foot Plate- STS450-N-10004AE [1]
- 5. Knee Pad Bracket Assy.- STS450-N-10005E  
Knee Pad Bracket Assy.- STS450-N-10005AE [1]
- 6. Base Assy. Left- STS450-N-10006E
- 7. Base Assy. Right- STS450-N-10007E
- 8. Knee Pad Assy.- STS450-N-10008E
- 9. Linkage Connection plate- STS450-N-10009E

- 10. Elevation Actuator Assy.- STS450-N-10017AE  
Elevation Actuator Assy.- STS450-N-10017AE [1]
- 11. Base Actuating Rod- STS450-N-11E
- 12. Connection Linkage Bushing- STS450-N-13E
- 13. Control Box- STS450-N-15E
- 14. Hand Control- STS450-N-20E
- 15. Charger Stand- STS450-N-21E
- 16. External Charger- STS450-N-22E
- 17. Battery- SP07-SP-2139-001
- 18. Leg Strap Bracket- STS450-N-10024E
- 19. Non-Locking Caste- UA17580750E
- 20. Locking Caster- UA18661000E
- 21. Spreader Bar Receiver- STS450-M-06E  
Not Shown- Leg Strap- STSSTRAP

[1] 5/2021 and later.