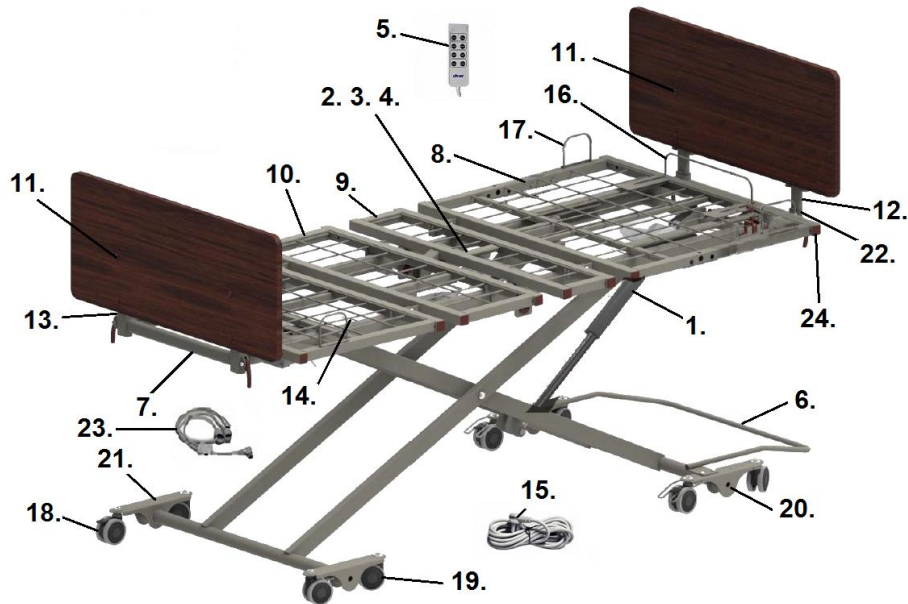


P503 PRIME LONG TERM CARE BED



1. Hi/Lo Motor- SP01-TA23-1060-002
2. Head Motor- SP01-TA31-1060-004
3. Foot Motor- SP01-TA31-1060-003
4. Motor Control Box- SP01-TC21-1060-002
5. Hand Pendant (8 button)- SP01-TH2-1060-007
6. Wall Guard- SP01-P503-07E
7. Foot Board Adjustable Mounting Bracket- SP01-P503-10001E
8. Head Deck- SP01-P503-10002E
9. Thigh Deck- SP01-P503-10003E
10. Foot Deck- SP01-P503-10004E
11. Head/Foot Board Mounting Bolt (ea)- SP01-UF16108061E
12. Head Board Mounting Bracket & Hardware (pr)- SP01-PCB901-10003E
13. Foot Board Mounting Bracket & Hardware (pr)- SP01-PCB901-10019E
14. Foot Deck Ratcheting Assembly- SP01-PCB300-01-57E
15. Power Cord- SP02-PPB1750-3402E
16. Head End Mattress Retainer- SP01-P703-02-03E
17. Side Mattress Retainer- SP01-PCB300-015302
18. Locking Caster- SP01-TL500-37E
19. Non-Locking Caster- SP01-TL500-29E
20. Head Caster Assembly Left- [2]
Head Caster Assembly Right- SP01-PCB300-01-60E [1]
21. Foot Caster Assembly Left- SP01-PCB300-01-59E
Foot Caster Assembly Right- SP01- SP01-PCB300-01-61E
22. Head Board Adjustment Bracket- SP01-P703-10008E
23. "Y" Cable- SP01-P703-70E
"Y" Cable Mounting Bracket- SP02-PPB2000-36E
24. End Cap- PC20303001E-CO

[1] When stock is gone the part is no longer available.

[2] Stock is gone the part is no longer available.