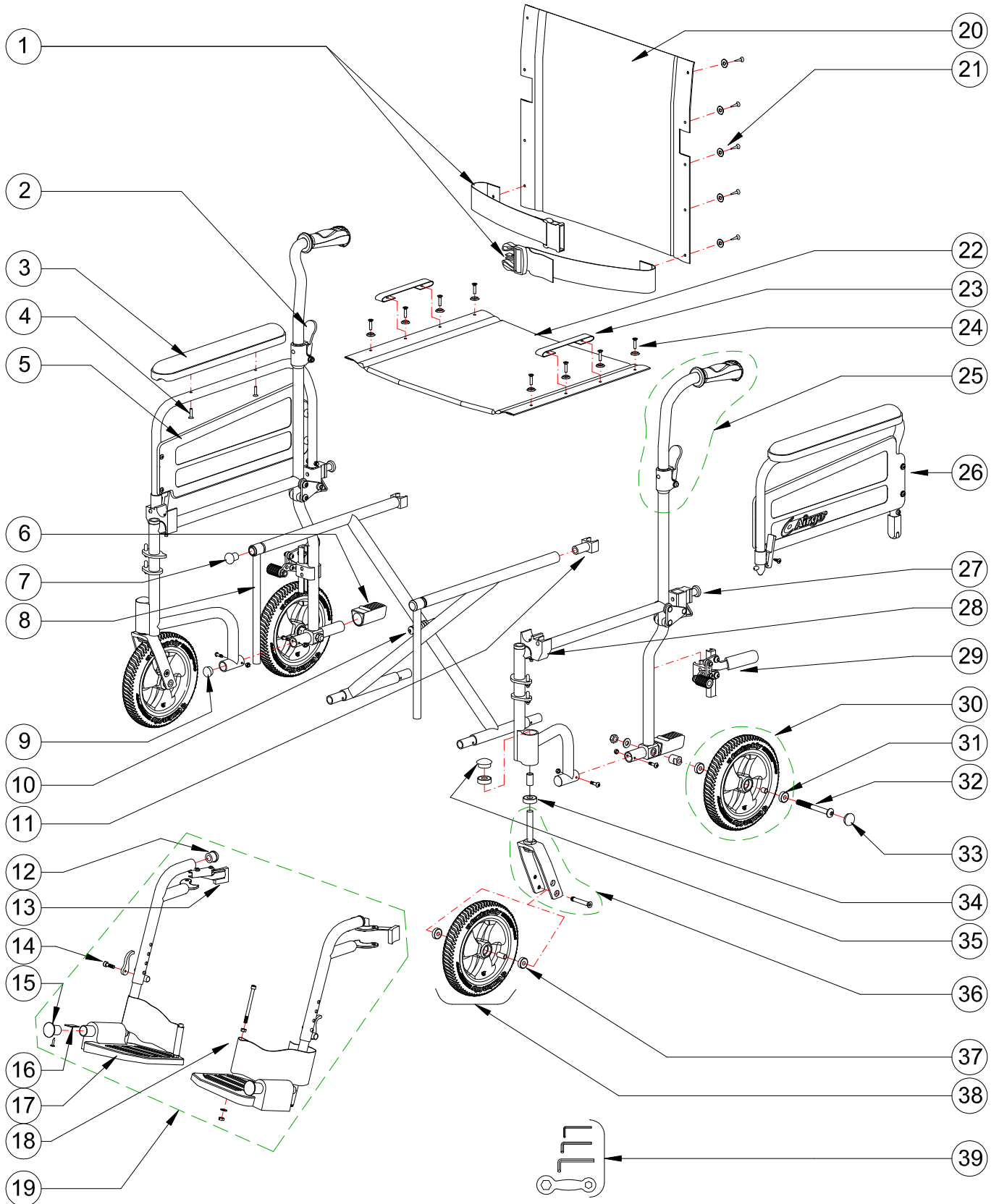


700-841 AIRGO COMFORT-PLUS LIGHT WEIGHT TRANSPORT CHAIR 17" WIDE, BLACK

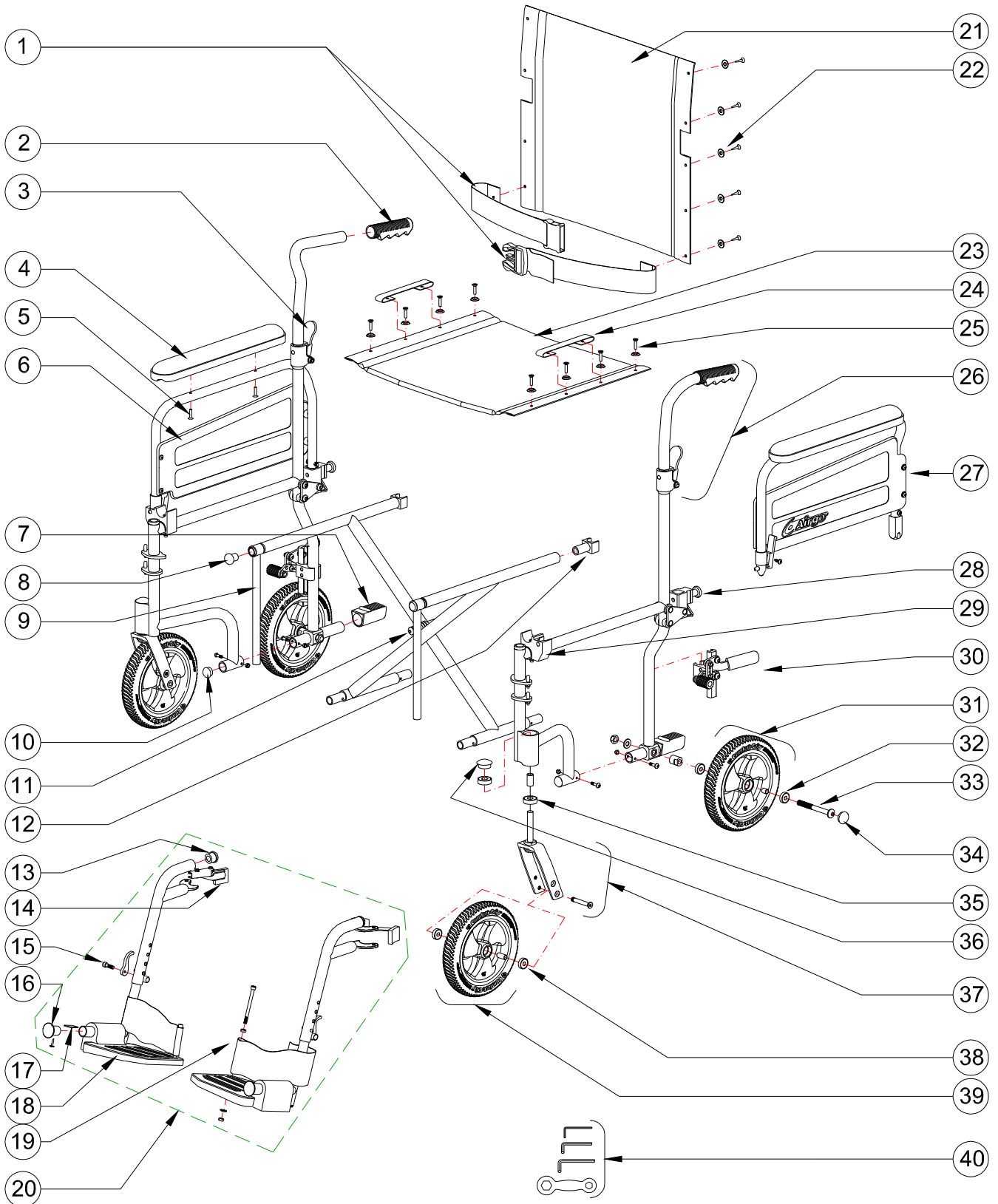


700-841**AIRGO COMFORT-PLUS LIGHT WEIGHT TRANSPORT CHAIR 17" WIDE, BLACK**

Item #	AMG Part #	Item Description	Qty Per	Sold by	UOM
1.	700-864	Safety Belt for Transport Chair	1	1	EA
2.	A02-411	Release Lever to Fold Handle, Black	2	1	EA
3.	A02-461N	Full Arm Pad, Black Nylon	1	1	PR
4.	A02-122	Hex Socket Screw (M5x30mm) – 4 ea/set	1	1	ST
5.	B02-282	Full Panel, Black Composite, & Hardware (4 Self-Threading Screws) L&R	1	1	PR
6.	A02-421	Step Tube Plug, Black	2	1	EA
7.	C48-00030	End Plug, Black Plastic (dia=23.4 /14.6mm x 15.2mm) - 2 ea / set	1	1	ST
8.	A02-658	Sliding Tube Attachment, Chrome Plated	2	1	EA
9.	A02-422	Plug for Frame, Black	2	1	EA
10.	B02-823	Hardware for Crossbar Pivot (Hex Bolt M8x75, Spring, Spring Sleeve &	1	1	ST
11.	A02-485	Rear Seat Guide, Black Plastic	2	1	EA
12.	A02-430	Bumper for Footrest, Black Rubber	2	1	EA
13.	B02-340 B	Release Handle Mechanism Assembly (Long Handle, 2 Hex Bolts, 2 Hex Nuts & Spring), Left & Right - Black	1	1	PR
14.	B02-492	Tightening Lever for Footrest (Lever & Hex Socket Bolt M6x18mm)	2	1	ST
15.	B02-344	Footplate Plug with Self-threading Screw	2	1	ST
16.	A02-261	Footplate Leaf Spring, Stainless Steel	2	1	EA
17.	A02-458	Footplate, Composite	2	1	EA
18.	B02-491	Heel Loop with Hardware (Heel Loop, Hex Socket Bolt M6x70mm, Nut, Flat Washer & Lock Nut)	2	1	ST
19.	B02-302	Swing-Away Footrests, Tool-Free Height Adjustable (Aluminum Frame with Composite Footplate & Heel Loops), Left & Right	1	1	PR
20.	B02-458	Back Upholstery 17"x17", Black Nylon, with Hardware (10 Self-threading Screws & 10 Washers)	1	1	EA
21.	B02-814	Hardware for Back Upholstery (Socket Self-threading Screw & Washer)	10	1	ST
22.	B02-408	Seat Upholstery 17"x16", Black Nylon, with Hardware (8 Hex Screws	1	1	EA
23.	A02-476	Seat Strap	1	1	PR
24.	B02-819	Hardware for Seat Upholstery (Hex Socket Screw M5x18mm & Washer)	8	1	ST
25.	B02-298	Airgo Handle Assembly with Quick Folding Mechanism (Aluminum Tube, Grey Airgo Handle Grip & Folding Mechanism), L&R	1	1	PR
26.	B02-255	Flip-Back, Fixed Height, Detachable Full Armrest, Left&Right	1	1	PR
27.	B02-293	Armrest Detaching Mechanism & Pivoting Socket (Black Knob, Spring, Lock Pin & Pivot Socket)	2	1	ST
28.	B02-073	Seat-Arm Saddle, Black Plastic, with Hardware (Socket Bolt M5x35mm, Saddle Washer & Hex Nut) L&R	1	1	PR
29.	B02-211	Wheel Lock Assembly for Airgo Transport Chair, Left & Right	1	1	PR
30.	B02-137	8" AMG Rear Wheel (AMG Design Black PU Tire 8"x1.25" with Full Hub, 2 Bearings & Bushing)	2	1	EA
31.	A02-304	608 Bearing (ø23xø9.5x9mm)	4	1	EA
32.	B02-836	Hardware for 8" Rear Wheel for Airgo T/C (Hex Socket Bolt M3/8"x100mm, 2 Simms, Washer & Hex Nut)	2	1	ST
33.	A02-448	Hub Cap, Black, for 8" Rear Wheel	2	1	EA
34.	A02-301	6001 Bearing (ø28xø12x8mm)	4	1	EA

35.	A02-447	Front Fork Cover, Black	2	1	EA
36.	B02-146	Aluminum Fork for 8" Caster with Bolt (Aluminum Fork, End Threaded Stem M12, Flange Nut & Bolt M8x55mm))	2	1	EA
37.	A02-302	608 Bearing (ø22xø8x9mm)	4	1	EA
38.	B02-135	8" AMG Front Wheel (AMG Design Black PU Tire 8"x1.25" with Full Hub, 2 Bearings & Bushing)	2	1	EA
39.	A02-703	Tool Package (Allen Keys 4mm & 6mm and Wrench for 13mm & 19mm)	1	1	ST

700-841 AIRGO LIGHT WEIGHT TRANSPORT CHAIR 17" WIDE, BLACK

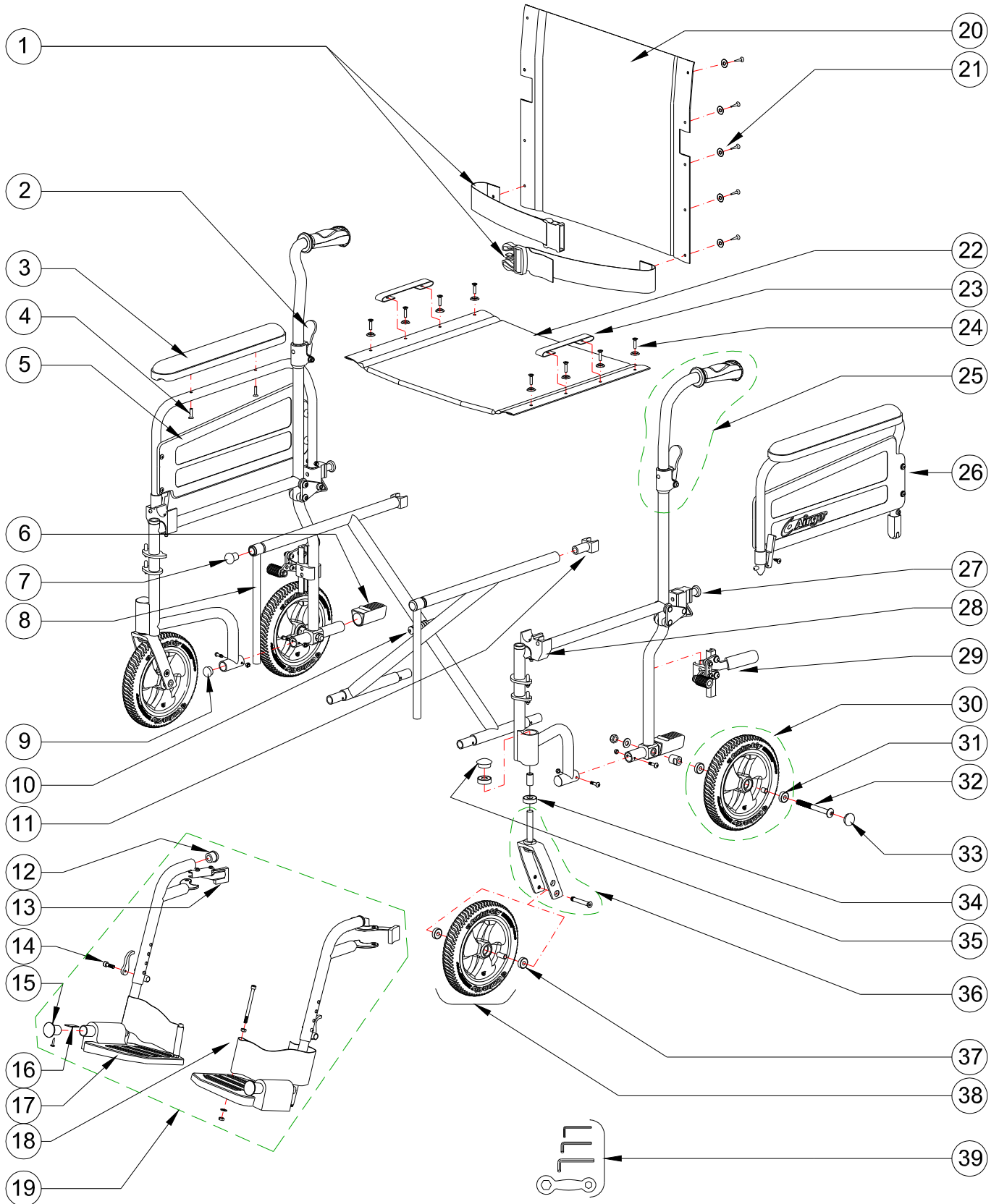


700-841
AIRGO LIGHT WEIGHT TRANSPORT CHAIR 17" WIDE, BLACK

Item #	AMG Part #	Item Description	Qty Per Unit	Sold by	UOM
1.	700-864	Safety Belt for Transport Chair	1	1	EA
2.	A02-405	Hand Grip, Black	1	1	PR
3.	A02-411	Release Lever to Fold Handle, Black	2	1	EA
4.	A02-461	Full Arm Pad, Black Nylon	1	1	PR
5.	A02-122	Hex Socket Screw (M5x30mm) – 4 ea/set	1	1	ST
6.	B02-282	Full Panel, Black Composite, & Hardware (4 Self-Threading Screws) L&R	1	1	PR
7.	C48-00030	End Plug, Black Plastic (dia=23.4 /14.6mm x 15.2mm) - 2 ea / set	1	1	ST
8.	A02-425	End Plug for Seat Rail, Black Plastic	2	1	EA
9.	A02-658	Sliding Tube Attachment, Chrome Plated	2	1	EA
10.	A02-422	Plug for Frame, Black	2	1	EA
11.	B02-823	Hardware for Crossbar Pivot (Hex Bolt M8x75, Spring, Spring Sleeve & Hex Nut)	1	1	ST
12.	A02-475	Rear Seat Guide, Black Plastic	2	1	EA
13.	A02-430	Bumper for Footrest, Black Rubber	2	1	EA
14.	B02-340	Release Handle Mechanism Assembly (Long Handle, 2 Hex Bolts, 2 Hex Nuts & Spring), Left & Right	1	1	PR
15.	B02-492	Tightening Lever for Footrest (Lever & Hex Socket Bolt M6x18mm)	2	1	ST
16.	B02-344	Footplate Plug with Self-threading Screw	2	1	ST
17.	A02-261	Footplate Leaf Spring, Stainless Steel	2	1	EA
18.	A02-458	Footplate, Composite	2	1	EA
19.	B02-491	Heel Loop with Hardware (Heel Loop, Hex Socket Bolt M6x70mm, Nut, Flat Washer & Lock Nut)	2	1	ST
20.	B02-302	Swing-Away Footrests, Tool-Free Height Adjustable (Aluminum Frame with Composite Footplate & Heel Loops), Left & Right	1	1	PR
21.	B02-458	Back Upholstery 17"x17", Black Nylon, with Hardware (10 Self-threading Screws & 10 Washers)	1	1	EA
22.	B02-814	Hardware for Back Upholstery (Socket Self-threading Screw & Washer)	10	1	ST
23.	B02-408	Seat Upholstery 17"x16", Black Nylon, with Hardware (8 Hex Screws & 8 Washers)	1	1	EA
24.	A02-476	Seat Strap	1	1	PR
25.	B02-819	Hardware for Seat Upholstery (Hex Socket Screw M5x18mm & Washer)	8	1	ST
26.	B02-297	Aluminum Handle with Quick Folding Mechanism (Aluminum Handle, Handle Grip & Folding Mechanism Assembly)	2	1	EA
27.	B02-255	Flip-Back, Fixed Height, Detachable Full Armrest, Left&Right	1	1	PR
28.	B02-293	Armrest Detaching Mechanism & Pivoting Socket (Black Knob, Spring, Lock Pin & Pivot Socket)	2	1	ST
29.	B02-073	Seat-Arm Saddle, Black Plastic, with Hardware (Socket Bolt M5x35mm, Saddle Washer & Hex Nut) L&R	1	1	PR
30.	B02-211	Wheel Lock Assembly for Airgo Transport Chair, Left & Right	1	1	PR
31.	B02-137	8" AMG Rear Wheel (AMG Design Black PU Tire 8"x1.25" with Full Hub, 2 Bearings & Bushing)	2	1	EA
32.	A02-304	608 Bearing (ø23xø9.5x9mm)	4	1	EA
33.	B02-836	Hardware for 8" Rear Wheel for Airgo T/C (Hex Socket Bolt M3/8"x100mm, 2 Simms, Washer & Hex Nut)	2	1	ST
34.	A02-448	Hub Cap, Black, for 8" Rear Wheel	2	1	EA
35.	A02-301	608 Bearing (ø22xø12x8mm)	4	1	EA

36.	A02-447	Front Fork Cover, Black	2	1	EA
37.	B02-146	Aluminum Fork for 8" Caster with Bolt (Aluminum Fork, End Threaded Stem M12, Flange Nut & Bolt M8x55mm))	2	1	EA
38.	A02-301	6001 Bearing (ø28xø12x8mm)	4	1	EA
39.	B02-135	8" AMG Front Wheel (AMG Design Black PU Tire 8"x1.25" with Full Hub, 2 Bearings & Bushing)	2	1	EA
40.	A02-703	Tool Package (Allen Keys 4mm & 6mm and Wrench for 13mm & 19mm)	1	1	ST

700-846 AIRGO COMFORT-PLUS LIGHT WEIGHT TRANSPORT CHAIR 19" WIDE, BLACK

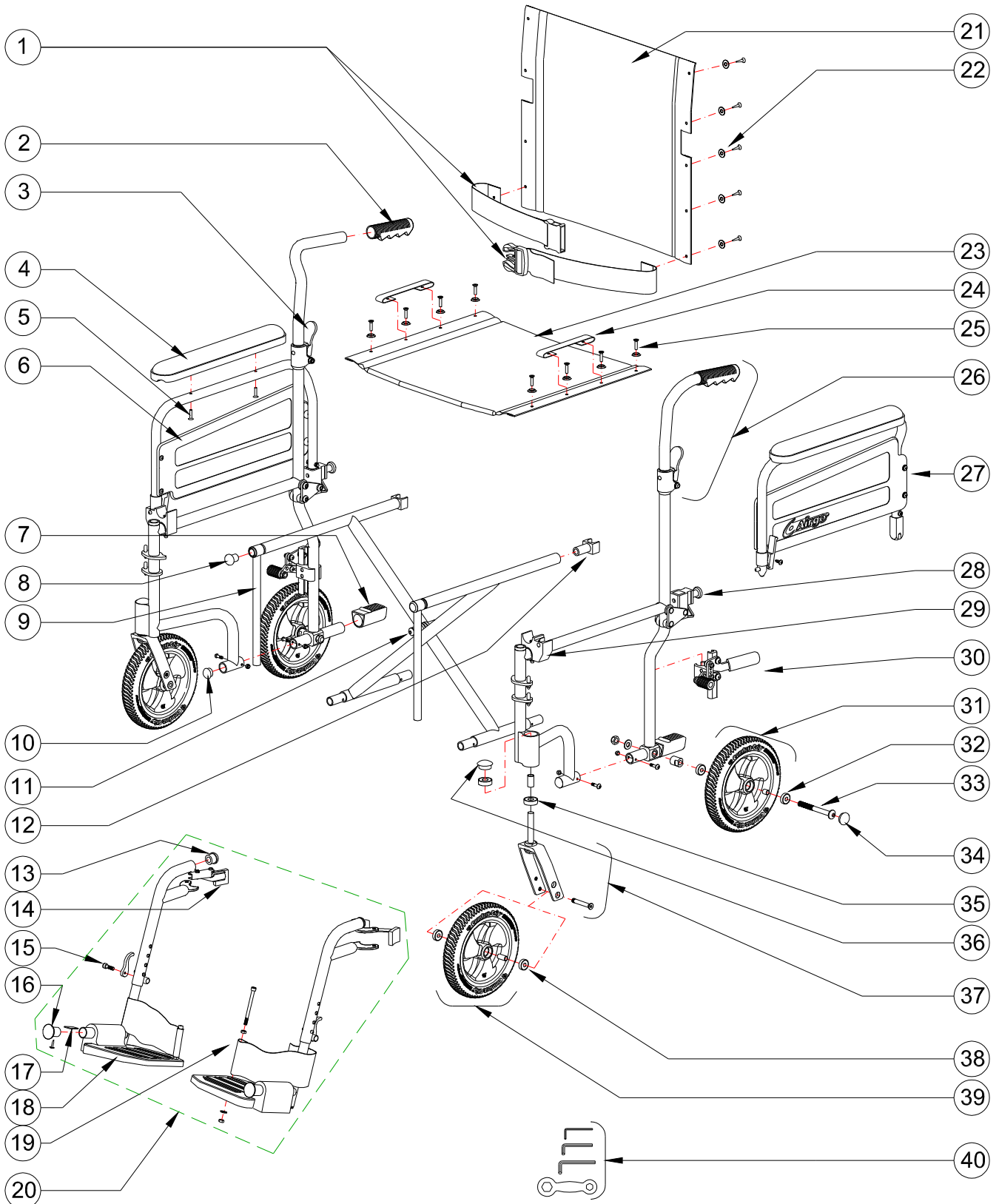


700-846**AIRGO COMFORT-PLUS LIGHT WEIGHT TRANSPORT CHAIR 19" WIDE, BLACK**

Item #	AMG Part #	Item Description	Qty Per Unit	Sold by	UOM
1.	700-864	Safety Belt for Transport Chair	1	1	EA
2.	A02-411	Release Lever to Fold Handle, Black	2	1	EA
3.	A02-461N	Full Arm Pad, Black Nylon	1	1	PR
4.	A02-122	Hex Socket Screw (M5x30mm) – 4 ea/set	1	1	ST
5.	B02-282	Full Panel, Black Composite, & Hardware (4 Self-Threading Screws) L&R	1	1	PR
6.	A02-421	Step Tube Plug, Black	2	1	EA
7.	C48-00030	End Plug, Black Plastic (dia=23.4 /14.6mm x 15.2mm) - 2 ea / set	1	1	ST
8.	A02-658	Sliding Tube Attachment, Chrome Plated	2	1	EA
9.	A02-422	Plug for Frame, Black	2	1	EA
10.	B02-823	Hardware for Crossbar Pivot (Hex Bolt M8x75, Spring, Spring Sleeve & Hex Nut)	1	1	ST
11.	A02-485	Rear Seat Guide, Black Plastic	2	1	EA
12.	A02-430	Bumper for Footrest, Black Rubber	2	1	EA
13.	B02-340 B	Release Handle Mechanism Assembly (Long Handle, 2 Hex Bolts, 2 Hex Nuts & Spring), Left & Right - Black	1	1	PR
14.	B02-492	Tightening Lever for Footrest (Lever & Hex Socket Bolt M6x18mm)	2	1	ST
15.	B02-344	Footplate Plug with Self-threading Screw	2	1	ST
16.	A02-261	Footplate Leaf Spring, Stainless Steel	2	1	EA
17.	A02-458	Footplate, Composite	2	1	EA
18.	B02-491	Heel Loop with Hardware (Heel Loop, Hex Socket Bolt M6x70mm, Nut, Flat Washer & Lock Nut)	2	1	ST
19.	B02-302	Swing-Away Footrests, Tool-Free Height Adjustable (Aluminum Frame with Composite Footplate & Heel Loops), Left & Right	1	1	PR
20.	B02-463	Back Upholstery 19"x17", Black Nylon, with Hardware (10 Self-threading Screws & 10 Washers)	1	1	EA
21.	B02-814	Hardware for Back Upholstery (Socket Self-threading Screw & Washer)	10	1	ST
22.	B02-413	Seat Upholstery 19"x16", Black Nylon, with Hardware (8 Hex Screws & 8 Washers)	1	1	EA
23.	A02-476	Seat Strap	1	1	PR
24.	B02-819	Hardware for Seat Upholstery (Hex Socket Screw M5x18mm & Washer)	8	1	ST
25.	B02-298	Airgo Handle Assembly with Quick Folding Mechanism (Aluminum Tube, Grey Airgo Handle Grip & Folding Mechanism), L&R	1	1	PR
26.	B02-255	Flip-Back, Fixed Height, Detachable Full Armrest, Left&Right	1	1	PR
27.	B02-293	Armrest Detaching Mechanism & Pivoting Socket (Black Knob, Spring, Lock Pin & Pivot Socket)	2	1	ST
28.	B02-073	Seat-Arm Saddle, Black Plastic, with Hardware (Socket Bolt M5x35mm, Saddle Washer & Hex Nut) L&R	1	1	PR
29.	B02-211	Wheel Lock Assembly for Airgo Transport Chair, Left & Right	1	1	PR
30.	B02-137	8" AMG Rear Wheel (AMG Design Black PU Tire 8"x1.25" with Full Hub, 2 Bearings & Bushing)	2	1	EA
31.	A02-304	608 Bearing (ø23xø9.5x9mm)	4	1	EA
32.	B02-836	Hardware for 8" Rear Wheel for Airgo T/C (Hex Socket Bolt M3/8"x100mm, 2 Simms, Washer & Hex Nut)	2	1	ST
33.	A02-448	Hub Cap, Black, for 8" Rear Wheel	2	1	EA
34.	A02-301	6001 Bearing (ø28xø12x8mm)	4	1	EA

35.	A02-447	Front Fork Cover, Black	2	1	EA
36.	B02-146	Aluminum Fork for 8" Caster with Bolt (Aluminum Fork, End Threaded Stem M12, Flange Nut & Bolt M8x55mm))	2	1	EA
37.	A02-302	608 Bearing (ø22xø8x9mm)	4	1	EA
38.	B02-135	8" AMG Front Wheel (AMG Design Black PU Tire 8"x1.25" with Full Hub, 2 Bearings & Bushing)	2	1	EA
39.	A02-703	Tool Package (Allen Keys 4mm & 6mm and Wrench for 13mm & 19mm)	1	1	ST

700-846 AIRGO LIGHT WEIGHT TRANSPORT CHAIR 19" WIDE, BLACK

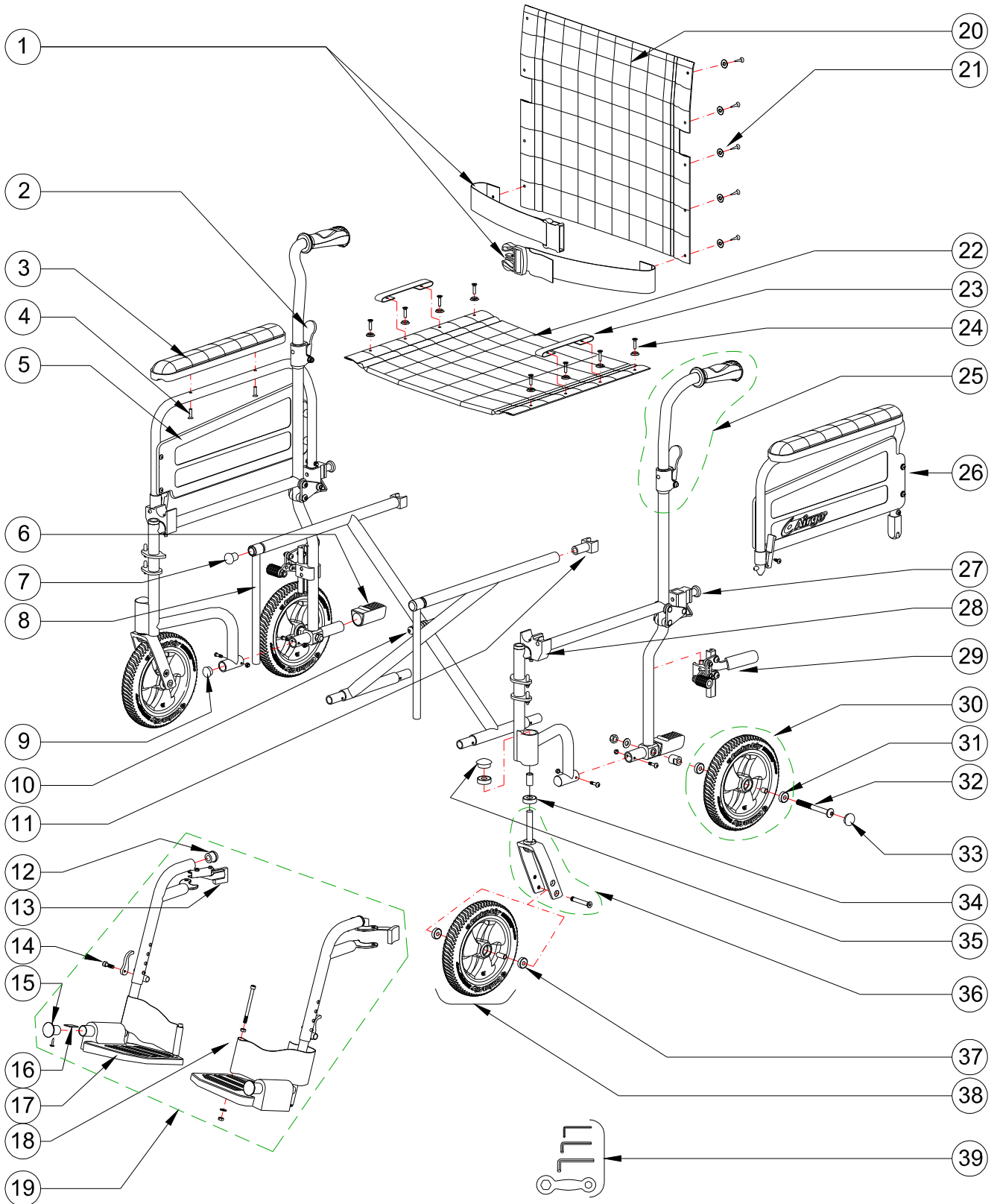


700-846
AIRGO LIGHT WEIGHT TRANSPORT CHAIR 19" WIDE, BLACK

Item #	AMG Part #	Item Description	Qty Per Unit	Sold by	UOM
1.	700-864	Safety Belt for Transport Chair	1	1	EA
2.	A02-405	Hand Grip, Black	1	1	PR
3.	A02-411	Release Lever to Fold Handle, Black	2	1	EA
4.	A02-461N	Full Arm Pad, Black Nylon	1	1	PR
5.	A02-122	Hex Socket Screw (M5x30mm) – 4 ea/set	1	1	ST
6.	B02-282	Full Panel, Black Composite, & Hardware (4 Self-Threading Screws) L&R	1	1	PR
7.	A02-421	Step Tube Plug, Black	2	1	EA
8.	C48-00030	End Plug, Black Plastic (dia=23.4 /14.6mm x 15.2mm) - 2 ea / set	1	1	ST
9.	A02-658	Sliding Tube Attachment, Chrome Plated	2	1	EA
10.	A02-422	Plug for Frame, Black	2	1	EA
11.	B02-823	Hardware for Crossbar Pivot (Hex Bolt M8x75, Spring, Spring Sleeve & Hex Nut)	1	1	ST
12.	A02-485	Rear Seat Guide, Black Plastic	2	1	EA
13.	A02-430	Bumper for Footrest, Black Rubber	2	1	EA
14.	B02-340B	Release Handle Mechanism Assembly (Long Handle, 2 Hex Bolts, 2 Hex Nuts & Spring), Left & Right, black	1	1	PR
15.	B02-492	Tightening Lever for Footrest (Lever & Hex Socket Bolt M6x18mm)	2	1	ST
16.	B02-344	Footplate Plug with Self-threading Screw	2	1	ST
17.	A02-261	Footplate Leaf Spring, Stainless Steel	2	1	EA
18.	A02-458	Footplate, Composite	2	1	EA
19.	B02-491	Heel Loop with Hardware (Heel Loop, Hex Socket Bolt M6x70mm, Nut, Flat Washer & Lock Nut)	2	1	ST
20.	B02-302	Swing-Away Footrests, Tool-Free Height Adjustable (Aluminum Frame with Composite Footplate & Heel Loops), Left & Right	1	1	PR
21.	B02-463	Back Upholstery 19"x17", Black Nylon, with Hardware (10 Self-threading Screws & 10 Washers)	1	1	EA
22.	B02-814	Hardware for Back Upholstery (Socket Self-threading Screw & Washer)	10	1	ST
23.	B02-413	Seat Upholstery 19"x16", Black Nylon, with Hardware (8 Hex Screws & 8 Washers)	1	1	EA
24.	A02-476	Seat Strap	1	1	PR
25.	B02-819	Hardware for Seat Upholstery (Hex Socket Screw M5x18mm & Washer)	8	1	ST
26.	B02-297	Aluminum Handle with Quick Folding Mechanism (Aluminum Handle, Handle Grip & Folding Mechanism Assembly)	1	1	PR
27.	B02-255	Flip-Back, Fixed Height, Detachable Full Armrest, Left&Right	1	1	PR
28.	B02-293	Armrest Detaching Mechanism & Pivoting Socket (Black Knob, Spring, Lock Pin & Pivot Socket)	2	1	ST
29.	B02-073	Seat-Arm Saddle, Black Plastic, with Hardware (Socket Bolt M5x35mm, Saddle Washer & Hex Nut) L&R	1	1	PR
30.	B02-211	Wheel Lock Assembly for Airgo Transport Chair, Left & Right	1	1	PR
31.	B02-137	8" AMG Rear Wheel (AMG Design Black PU Tire 8"x1.25" with Full Hub, 2 Bearings & Bushing)	2	1	EA
32.	A02-304	608 Bearing (ø23xø9.5x9mm)	4	1	EA
33.	B02-836	Hardware for 8" Rear Wheel for Airgo T/C (Hex Socket Bolt M3/8"x100mm, 2 Simms, Washer & Hex Nut)	2	1	ST
34.	A02-448	Hub Cap, Black, for 8" Rear Wheel	2	1	EA
35.	A02-301	608 Bearing (ø22xø12x8mm)	4	1	EA

36.	A02-447	Front Fork Cover, Black	2	1	EA
37.	B02-146	Aluminum Fork for 8" Caster with Bolt (Aluminum Fork, End Threaded Stem M12, Flange Nut & Bolt M8x55mm))	2	1	EA
38.	A02-301	6001 Bearing (ø28xø12x8mm)	4	1	EA
39.	B02-135	8" AMG Front Wheel (AMG Design Black PU Tire 8"x1.25" with Full Hub, 2 Bearings & Bushing)	2	1	EA
40.	A02-703	Tool Package (Allen Keys 4mm & 6mm and Wrench for 13mm & 19mm)	1	1	ST

700-848 AIRGO COMFORT-PLUS LIGHT WEIGHT TRANSPORT CHAIR 19" WIDE, PLAID

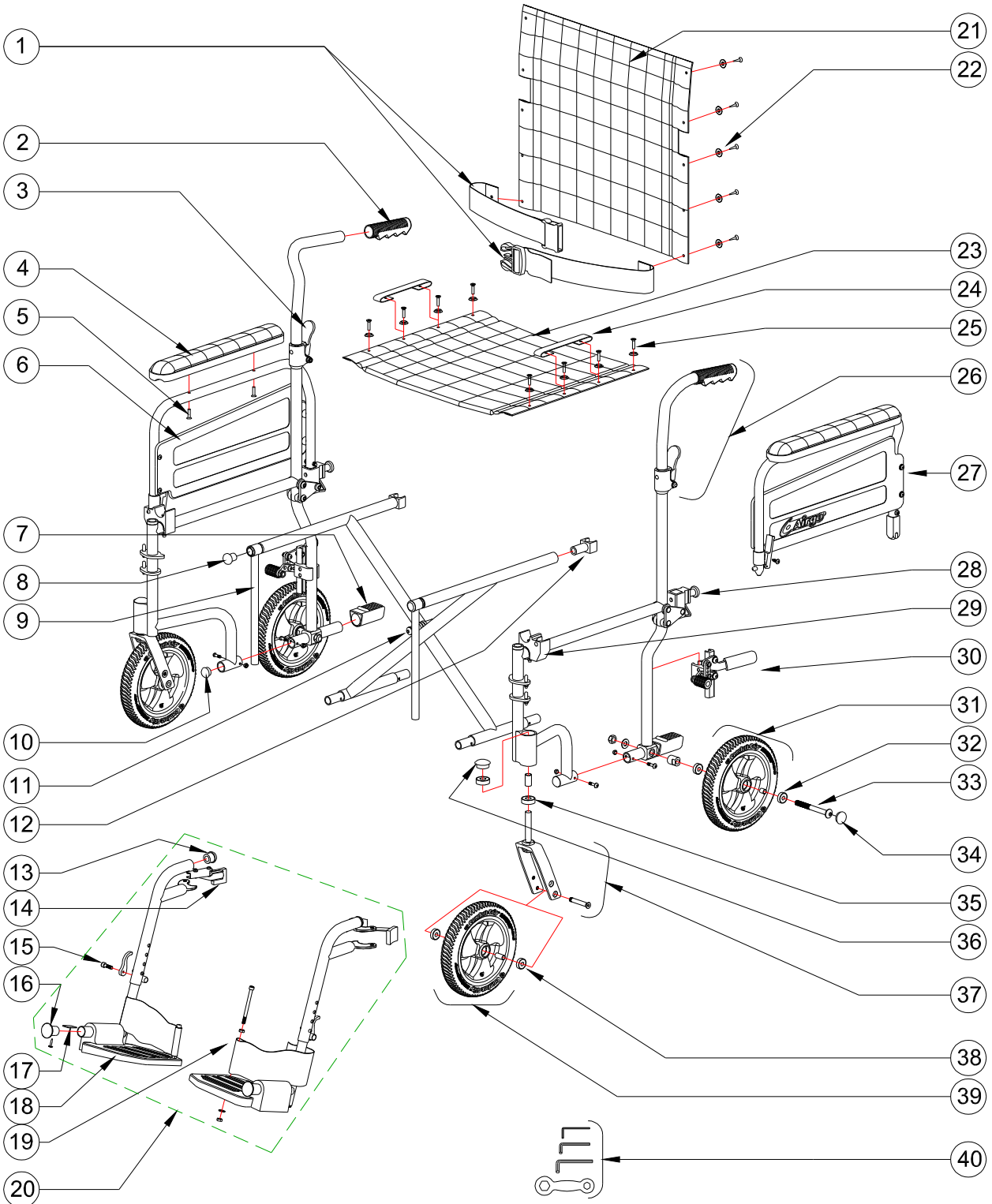


700-848**AIRGO COMFORT-PLUS LIGHT WEIGHT TRANSPORT CHAIR 19" WIDE, PLAID**

Item #	AMG Part #	Item Description	Qty Per Unit	Sold by	UOM
1.	700-864	Safety Belt for Transport Chair	1	1	EA
2.	A02-411	Release Lever to Fold Handle, Black	2	1	EA
3.	A02-466	Full Arm Pad, Plaid Nylon	1	1	PR
4.	A02-122	Hex Socket Screw (M5x30mm) – 4 ea/set	1	1	ST
5.	B02-282	Full Panel, Black Composite, & Hardware (4 Self-Threading Screws) L&R	1	1	PR
6.	A02-421	Step Tube Plug, Black	2	1	EA
7.	C48-00030	End Plug, Black Plastic (dia=23.4 /14.6mm x 15.2mm) - 2 ea / set	1	1	ST
8.	A02-658	Sliding Tube Attachment, Chrome Plated	2	1	EA
9.	A02-422	Plug for Frame, Black	2	1	EA
10.	B02-823	Hardware for Crossbar Pivot (Hex Bolt M8x75, Spring, Spring Sleeve & Hex Nut)	1	1	ST
11.	A02-485	Rear Seat Guide, Black Plastic	2	1	EA
12.	A02-430	Bumper for Footrest, Black Rubber	2	1	EA
13.	B02-340B	Release Handle Mechanism Assembly (Long Handle, 2 Hex Bolts, 2 Hex Nuts & Spring), Left & Right - Black	1	1	PR
14.	B02-492	Tightening Lever for Footrest (Lever & Hex Socket Bolt M6x18mm)	2	1	ST
15.	B02-344	Footplate Plug with Self-threading Screw	2	1	ST
16.	A02-261	Footplate Leaf Spring, Stainless Steel	2	1	EA
17.	A02-458	Footplate, Composite	2	1	EA
18.	B02-491	Heel Loop with Hardware (Heel Loop, Hex Socket Bolt M6x70mm, Nut, Flat Washer & Lock Nut)	2	1	ST
19.	B02-302	Swing-Away Footrests, Tool-Free Height Adjustable (Aluminum Frame with Composite Footplate & Heel Loops), Left & Right	1	1	PR
20.	B02-471	Back Upholstery 19"x17", Plaid Nylon, with Hardware (10 Self-threading Screws & 10 Washers)	1	1	EA
21.	B02-814	Hardware for Back Upholstery (Socket Self-threading Screw & Washer)	10	1	ST
22.	B02-421	Seat Upholstery 19"x16", Plaid Nylon, with Hardware (8 Hex Screws & 8 Washers)	1	1	EA
23.	A02-476	Seat Strap	1	1	PR
24.	B02-819	Hardware for Seat Upholstery (Hex Socket Screw M5x18mm & Washer)	8	1	ST
25.	B02-298	Airgo Handle Assembly with Quick Folding Mechanism (Aluminum Tube, Grey Airgo Handle Grip & Folding Mechanism), L&R	1	1	PR
26.	B02-256	Flip-Back, Fixed Height, Detachable Full Armrest, Plaid, Left & Right	1	1	PR
27.	B02-293	Armrest Detaching Mechanism & Pivoting Socket (Black Knob, Spring, Lock Pin & Pivot Socket)	2	1	ST
28.	B02-073	Seat-Arm Saddle, Black Plastic, with Hardware (Socket Bolt M5x35mm, Saddle Washer & Hex Nut) L&R	1	1	PR
29.	B02-211	Wheel Lock Assembly for Airgo Transport Chair, Left & Right	1	1	PR
30.	B02-137	8" AMG Rear Wheel (AMG Design Black PU Tire 8"x1.25" with Full Hub, 2 Bearings & Bushing)	2	1	EA
31.	A02-304	608 Bearing (ø23xø9.5x9mm)	4	1	EA
32.	B02-836	Hardware for 8" Rear Wheel for Airgo T/C (Hex Socket Bolt M3/8"x100mm, 2 Simms, Washer & Hex Nut)	2	1	ST
33.	A02-448	Hub Cap, Black, for 8" Rear Wheel	2	1	EA
34.	A02-301	608 Bearing (ø22xø12x8mm)	4	1	EA

35.	A02-447	Front Fork Cover, Black	2	1	EA
36.	B02-146	Aluminum Fork for 8" Caster with Bolt (Aluminum Fork, End Threaded Stem M12, Flange Nut & Bolt M8x55mm))	2	1	EA
37.	A02-302	608 Bearing (ø22xø8x9mm)	4	1	EA
38.	B02-135	8" AMG Front Wheel (AMG Design Black PU Tire 8"x1.25" with Full Hub, 2 Bearings & Bushing)	2	1	EA
39.	A02-703	Tool Package (Allen Keys 4mm & 6mm and Wrench for 13mm & 19mm)	1	1	ST

700-848 AIRGO LIGHT WEIGHT TRANSPORT CHAIR 19" WIDE, PLAID



700-848
AIRGO LIGHT WEIGHT TRANSPORT CHAIR 19" WIDE, PLAID

Item #	AMG Part #	Item Description	Qty Per Unit	Sold by	UOM
1.	700-864	Safety Belt for Transport Chair	1	1	EA
2.	A02-405	Hand Grip, Black	1	1	PR
3.	A02-411	Release Lever to Fold Handle, Black	2	1	EA
4.	A02-466	Full Arm Pad, Plaid Nylon	1	1	PR
5.	A02-122	Hex Socket Screw (M5x30mm) – 4 ea/set	1	1	ST
6.	B02-282	Full Panel, Black Composite, & Hardware (4 Self-Threading Screws) L&R	1	1	PR
7.	A02-421	Step Tube Plug, Black	2	1	EA
8.	C48-00030	End Plug, Black Plastic (dia=23.4 /14.6mm x 15.2mm) - 2 ea / set	1	1	ST
9.	A02-658	Sliding Tube Attachment, Chrome Plated	2	1	EA
10.	A02-422	Plug for Frame, Black	2	1	EA
11.	B02-823	Hardware for Crossbar Pivot (Hex Bolt M8x75, Spring, Spring Sleeve & Hex Nut)	1	1	ST
12.	A02-485	Rear Seat Guide, Black Plastic	2	1	EA
13.	A02-430	Bumper for Footrest, Black Rubber	2	1	EA
14.	B02-340B	Release Handle Mechanism Assembly (Long Handle, 2 Hex Bolts, 2 Hex Nuts & Spring), Left & Right, black	1	1	PR
15.	B02-492	Tightening Lever for Footrest (Lever & Hex Socket Bolt M6x18mm)	2	1	ST
16.	B02-344	Footplate Plug with Self-threading Screw	2	1	ST
17.	A02-261	Footplate Leaf Spring, Stainless Steel	2	1	EA
18.	A02-458	Footplate, Composite	2	1	EA
19.	B02-491	Heel Loop with Hardware (Heel Loop, Hex Socket Bolt M6x70mm, Nut, Flat Washer & Lock Nut)	2	1	ST
20.	B02-302	Swing-Away Footrests, Tool-Free Height Adjustable (Aluminum Frame with Composite Footplate & Heel Loops), Left & Right	1	1	PR
21.	B02-471	Back Upholstery 19"x17", Plaid Nylon, with Hardware (10 Self-threading Screws & 10 Washers)	1	1	EA
22.	B02-814	Hardware for Back Upholstery (Socket Self-threading Screw & Washer)	10	1	ST
23.	B02-421	Seat Upholstery 19"x16", Plaid Nylon, with Hardware (8 Hex Screws & 8 Washers)	1	1	EA
24.	A02-476	Seat Strap	1	1	PR
25.	B02-819	Hardware for Seat Upholstery (Hex Socket Screw M5x18mm & Washer)	8	1	ST
26.	B02-297	Aluminum Handle with Quick Folding Mechanism (Aluminum Handle, Handle Grip & Folding Mechanism Assembly)	1	1	PR
27.	B02-256	Flip-Back, Fixed Height, Detachable Full Armrest, plaid, Left&Right	1	1	PR
28.	B02-293	Armrest Detaching Mechanism & Pivoting Socket (Black Knob, Spring, Lock Pin & Pivot Socket)	2	1	ST
29.	B02-073	Seat-Arm Saddle, Black Plastic, with Hardware (Socket Bolt M5x35mm, Saddle Washer & Hex Nut) L&R	1	1	PR
30.	B02-211	Wheel Lock Assembly for Airgo Transport Chair, Left & Right	1	1	PR
31.	B02-137	8" AMG Rear Wheel (AMG Design Black PU Tire 8"x1.25" with Full Hub, 2 Bearings & Bushing)	2	1	EA
32.	A02-304	608 Bearing (ø23xø9.5x9mm)	4	1	EA
33.	B02-836	Hardware for 8" Rear Wheel for Airgo T/C (Hex Socket Bolt M3/8"x100mm, 2 Simms, Washer & Hex Nut)	2	1	ST
34.	A02-448	Hub Cap, Black, for 8" Rear Wheel	2	1	EA
35.	A02-301	608 Bearing (ø22xø12x8mm)	4	1	EA

36.	A02-447	Front Fork Cover, Black	2	1	EA
37.	B02-146	Aluminum Fork for 8" Caster with Bolt (Aluminum Fork, End Threaded Stem M12, Flange Nut & Bolt M8x55mm))	2	1	EA
38.	A02-301	6001 Bearing (ø28xø12x8mm)	4	1	EA
39.	B02-135	8" AMG Front Wheel (AMG Design Black PU Tire 8"x1.25" with Full Hub, 2 Bearings & Bushing)	2	1	EA
40.	A02-703	Tool Package (Allen Keys 4mm & 6mm and Wrench for 13mm & 19mm)	1	1	ST