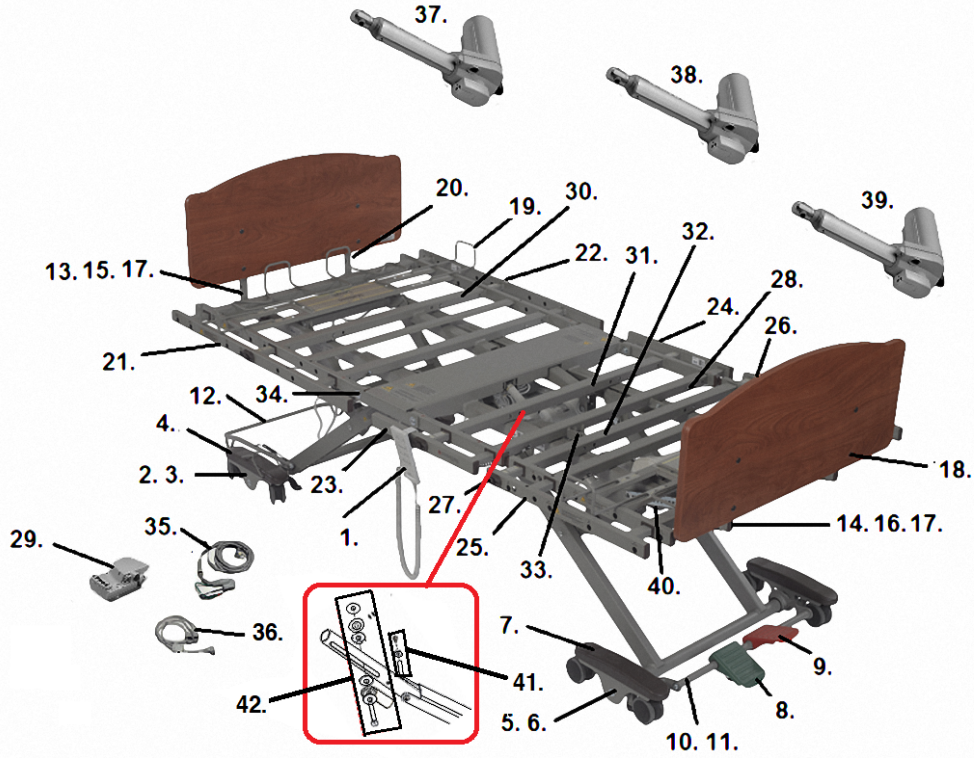


P903



	P903 before sn 11L1801	P903 sn 11L1801-11L1906	P903 after sn 11L1906
1. Hand Pendant	SP01-HB70-C101-00	SP01-KH21029-01	SP01-TH12-1060-001
2. Head Deck Caster Assembly Left	SP01-P903-16AE	SP01-P903-16AE	SP01-P903-16AE
3. Head Deck Caster Assembly Right	SP01-P903-15AE	SP01-P903-15AE	SP01-P903-15AE
4. Head Deck Caster Cover	SP01-P903-10019E	SP01-P903-10019E	SP01-P903-10019E
5. Foot Deck Caster Assembly Left	SP01-P903-10003E	SP01-P903-10003E	SP01-P903-10003E
6. Foot Deck Caster Assembly Right	SP01-P903-10004E	SP01-P903-10004E	SP01-P903-10004E
7. Foot Deck Caster Cover	SP01-P903-10018E	SP01-P903-10018E	SP01-P903-10018E
8. Brake Pedal Green	SP01-PO10040209E-G	SP01-PO10040209E-G	SP01-PO10040209E-G
9. Brake Pedal Red	SP01-PO10040209E-R	SP01-PO10040209E-R	SP01-PO10040209E-R
10. Brake Locking Pedal Assembly (inc 8 & 9)	SP01-P903-10005E	SP01-P903-10005E	SP01-P903-10005E
Brake Stop	SP01-PCB900-24BS	SP01-PCB900-24BS	SP01-PCB900-24BS
11. Foot End Caster Assembly (inc 5, 6 & 10)	SP01-P903-14AE	SP01-P903-14AE	SP01-P903-14AE
12. Wall Bumper	SP01-P903-13AE	SP01-P903-13AE	SP01-P903-13AE
13. Head Board Mounting Brackets w/Hardware	SP01-P903-05AE	SP01-P903-05AE	SP01-P903-05AE
14. Foot Board Mounting Brackets w/Hardware	SP01-P903-08AE	SP01-P903-08AE	SP01-P903-08AE
15. Head Board Bracket Knobs	SP01-P903-10006E	SP01-P903-10006E	SP01-P903-10006E
16. Foot Board Bracket Retaining pin	SP01-UA30170361	SP01-UA30170361	[2]
17. End Caps Head/Foot Board Bracket	SP01-P903-10007E	SP01-P903-10007E	SP01-P903-10007E
18. Head/Foot Board Mounting Screws	SP01-P903-10008E	SP01-P903-10008E	SP01-P903-10008E
19. Width Mattress Retainers	SP01-P903-10011E	SP01-P903-10011E	SP01-P903-10011E
20. Length Mattress Retainers	SP01-P903-10012E	SP01-P903-10012E	SP01-P903-10012E
21. Head Width Extension Right	P903WE-10001E [1]	P903WE-10001E [1]	SP01-P750-10019E
22. Head Width Extension Left	P903WE-10004E [1]	P903WE-10004E [1]	SP01-P750-10020E
23. Thigh Width Extension Right	P903WE-10002E [1]	P903WE-10002E [1]	SP01-P750-10024E
24. Thigh Width Extension Left	P903WE-10005E [1]	P903WE-10005E [1]	SP01-P750-10023E
25. Foot Width Extension Right	P903WE-10003E [1]	P903WE-10003E [1]	SP01-P750-10022E
26. Foot Width Extension Left	P903WE-10006E [1]	P903WE-10006E [1]	SP01-P750-10021E
27. Width Extension Button	P903WE-10007E	P903WE-10007E	P903WE-10007E
28. Width Extension Locking Pin	SP01-UA30120451E [1]	SP01-UA30120451E [1]	SP01-UA30120451E [1]
29. Control Box	[2] [3]	SP01-P903-CB652100	SP01-TC21-1060-003
30. Head Deck w/Hardware	SP01-P903-10009E	SP01-P903-10032E	SP01-P903-10032E
31. Thigh Deck w/Hardware	SP01-P903-03AE	SP01-P903-10030E	SP01-P903-10030E
32. Foot Deck w/Hardware	SP01-P903-04AE [1]	SP01-P903-10031E	SP01-P903-10031E
33. Foot Deck Hardware	SP01-P903-1001001E	SP01-P903-1001001E	SP01-P903-1001001E
34. Head/Thigh Deck Hardware	SP01-P903-1000901E	SP01-P903-1000901E	SP01-P903-1000901E
35. Power Cord	SP01-P903-30E	SP01-P903-30E	SP01-P703-60-02E
36. Y-Cable	SP01-P903-31E	SP01-P903-31E	SP01-P703-70E
37. Head Actuator	SP01-LA27-C781-00	SP01-LA27-C781-00	SP01-TA31-1060-006
37. Head Actuator Power Cord	SP01-P903-25-02E [1]	SP01-P903-25-02E [1]	N/A
38. Hi/Lo Actuator	SP01-LA40-C003-00	SP01-LA40-C003-00	SP01-TA23-1060-003
38. Hi/lo Actuator Power Cord	SP01-P903-24-02E	SP01-P903-24-02E	N/A
39. Foot Actuator	SP01-KA20-C235-02	SP01-KA20-C235-02	SP01-TA31-1060-005
40. Foot End Ratchet Assy	SP01-PCB300-01-57E	SP01-PCB300-01-57E	SP01-PCB300-01-57E
41. Foot Lift Actuator Hardware	SP01-P902-10017E	SP01-P902-10017E	SP01-P903-10016E
42. Pin Grommet Hardware	SP01-P902-10040E	SP01-P902-10040E	SP01-P902-10040E
N/S Under Bed Light	SP01-MJB013-01	SP01-MJB013-01	SP01-TBL-1060-001
N/S Under Bed Light Cable Only	SP01-P903-28-03E	SP01-P903-28-03E	N/A
N/S Embedded Staff Control			P903SC05
N/S Battery Bracket w/Hrdwr	P903-BBK-01E	P903-BBK-01E	N/A
N/S Battery & Bracket w/Hrdwr	N/A	N/A	P903-T-BBK
N/S Replacement Battery	P903-BBK-02E	P903-BBK-02E	N/A
N/S Trapeze Handle & Strap	P903TPZH	P903TPZH	P903TPZH
N/S Trapeze Hardware Kit	P903TPZ-10002E	P903TPZ-10002E	P903TPZ-10002E
N/S Motor Metal Clevis Pin	SP01-LA-SP05154E	SP01-LA-SP05154E	N/A

[1] When stock is gone the part is no longer available.
 [2] The part is no longer available
 [3] To replace must order SP01-P903-CB652100 and SP01-KH21029-01.

05/16/2024