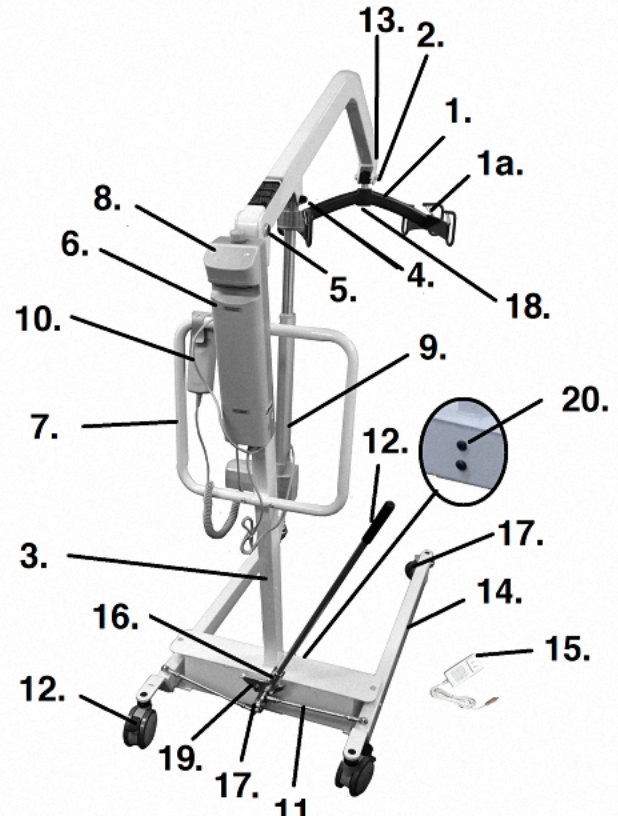


# 13244 & 13245

## T-Motion Electronics

1. 4/6 Point Cradle- 13050
- 1a. Spring Loaded Clip- 13240-CC-SL
2. Cradle Attachment Bolt- 13244CAB
3. Lower Mast- 13244ML
4. Upper Actuator Bolt- 13240UBA
5. Mast Hinge Bolt- 13240MHB
6. Battery Pack- SP07-SP-2139-001
7. Push Handle- 13240PH [1]
8. Controller- SP07-TC12-2139-004
9. Actuator- SP07-TA12-2139-001
10. Hand Pendant- SP07-TH10-2139-002
11. Spreader Bar- 13240BSB  
Spreader Bar Grip- 13240SBH
12. Caster with Lock- 13240CAL
13. Base Actuating Rod (pr)- 13240BAR-PR
14. Base- 13240B
15. Charger- SP07-TCB2-2139-001
16. Receiver Plate Assembly- 13240RPA
17. Actuating Rod Bolt- 13240ARB-N
18. Cradle Pivot Bolt- 13058PB-N
19. Spreader Bar Locking Plate-13240AP
20. Mast Locking Bolt- 13240MLB



Not Shown

External Charger- SP07-TBC2-42-211-1

[1] Attaching Bolts (M6X1.00X10mm) not included.

# 03/07/2022