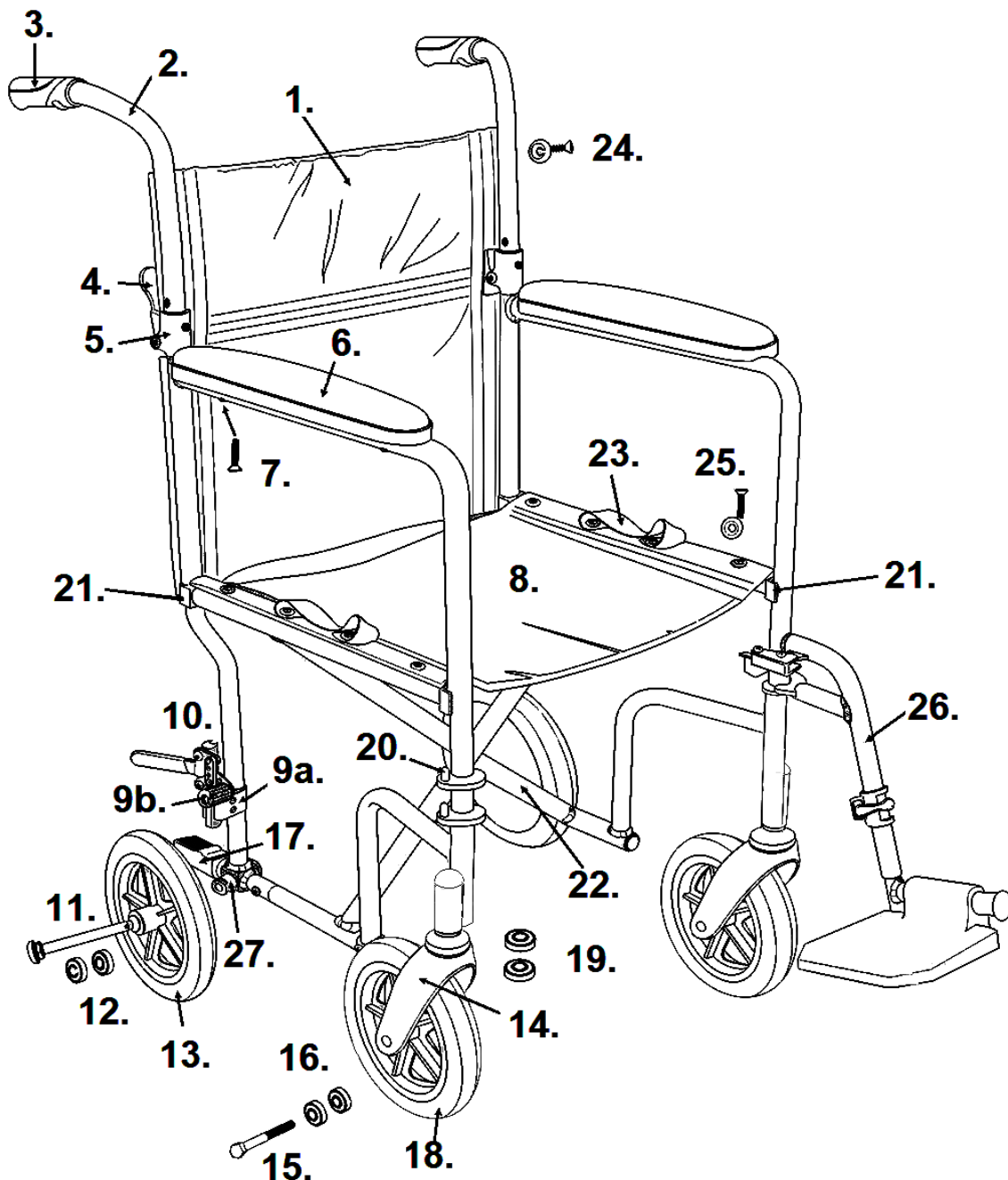


## DELUXE FLY-WEIGHT ALUMINUM TRANSPORT CHAIR WITH REMOVABLE CASTERS (RTLFW19RW-RD)



- |  |   |
|--|---|
| 1. Back Upholstery- FWRW19B  | 13. Rear Wheel- FWRW-1S                     |
| 2. Back Cane Red Left- STDS1S1021L<br>Back Cane Red Right- STDS1S1021R                 | 14. Fork- STDS1S1044                        |
| 3. Handgrip (pr)- TRHG   | 15. Front Axle- STDS1002-1                  |
| 4. Backrest Lever- TRB-1   | 16. Front Wheel Bearing- STDS1011           |
| 5. Folding Cane Hinge 1S Serial #- DISC.<br>Folding Cane Hinge 2M Serial #- STDS2M1011 | 17. Tipping Sleeve- STDS1S4020              |
| 6. Arm Pad- STDSFLNB   | 18. Front Wheel- STDS1002                   |
| 7. Arm Pad Screw- STDS002001   | 19. Fork Stem Bearing- STDS1012             |
| 8. Seat Upholstery- STDS2350BLK  | 20. Hanger Pins (4 ea)- STDS1069-4          |
| 9a. Wheel Lock Clamp- FWBC   | 21. Seat Rail Guide- STDS1070               |
| 9b. Wheel Lock Tip- STDS2A4335   | 22. Cross Frame Bolt- STDS001061            |
| 10. Wheel Lock Left- STDS1S4017L<br>Wheel Lock Right- STDS1S4017R                      | 23. Seat Upholstery Strap- STDS3J0902       |
| 11. Quick Release Axle- FW1S-AXLE  | 24. Back Uphol. Hardware (8 ea)- STDS5D5504 |
| 12. Rear Wheel Bearing- STDS1060   | 25. Seat Uphol. Hardware (8 ea)- STDS1072-8 |
|  | 26. Footrest Red- FWSF1SR                   |
|  | 27. Rear Axle Receiver- FW1S-RCVR           |